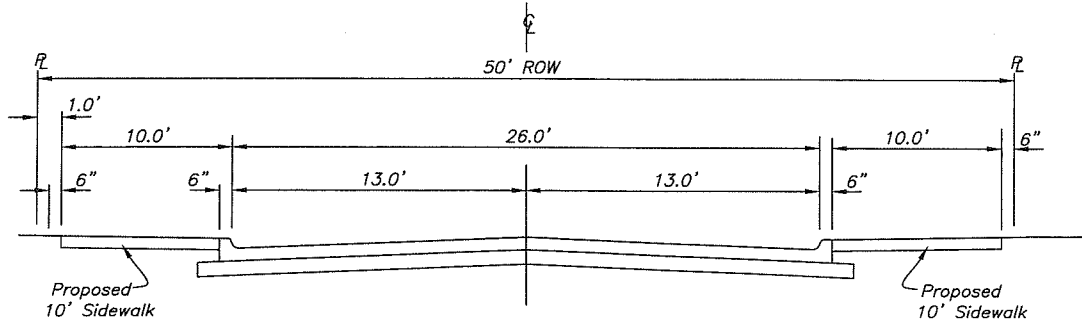
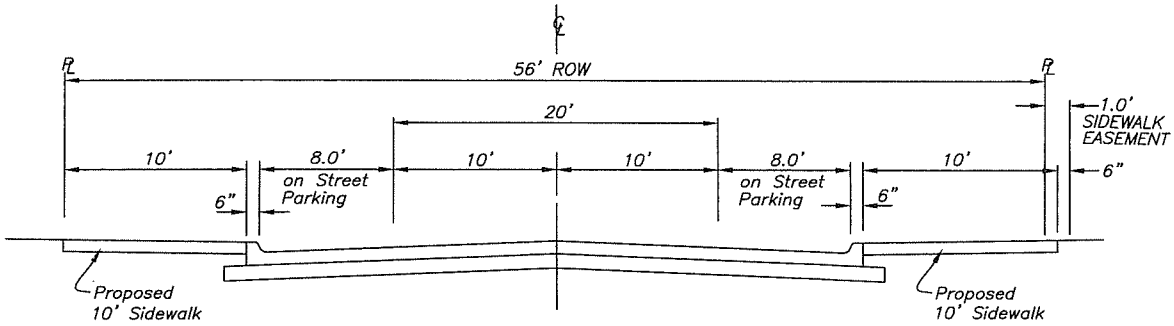


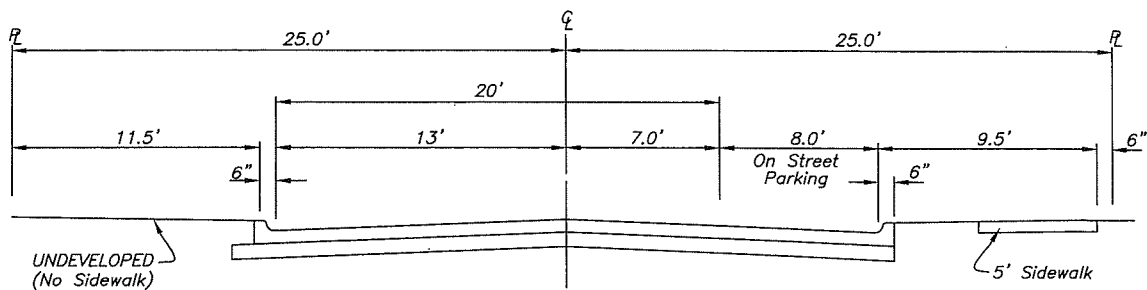
EXHIBIT B: PDS 104 STREET SECTIONS



BENGAL TYPICAL STREET SECTION
STA. 2+31.50 to 3+05.25
(Phase One)
 (NO SCALE)



BENGAL TYPICAL STREET SECTION
STA. 0+00 to 2+31.50
(Phase One)
 (NO SCALE)



HAWTHORNE TYPICAL STREET SECTION
 (NO SCALE)